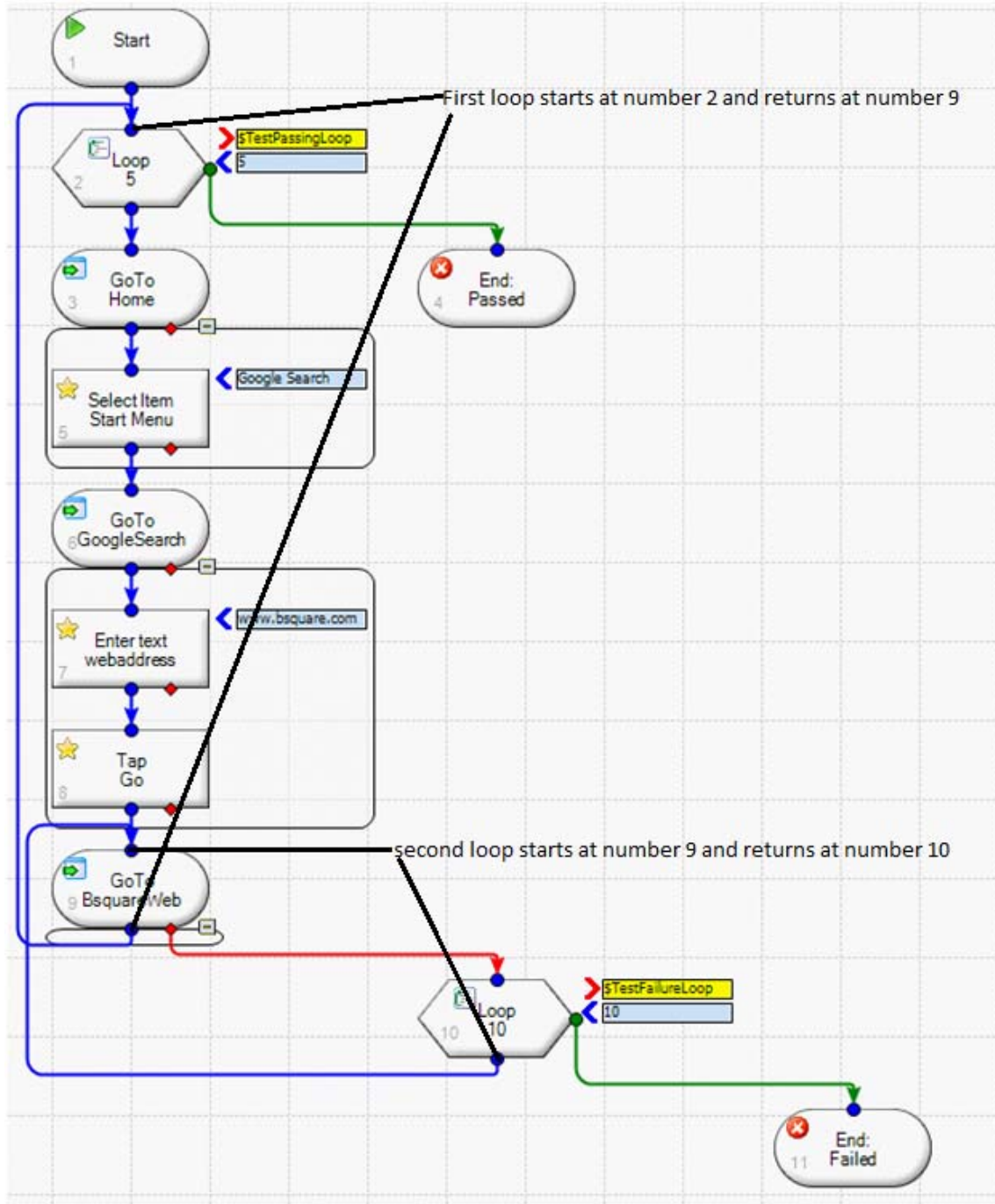




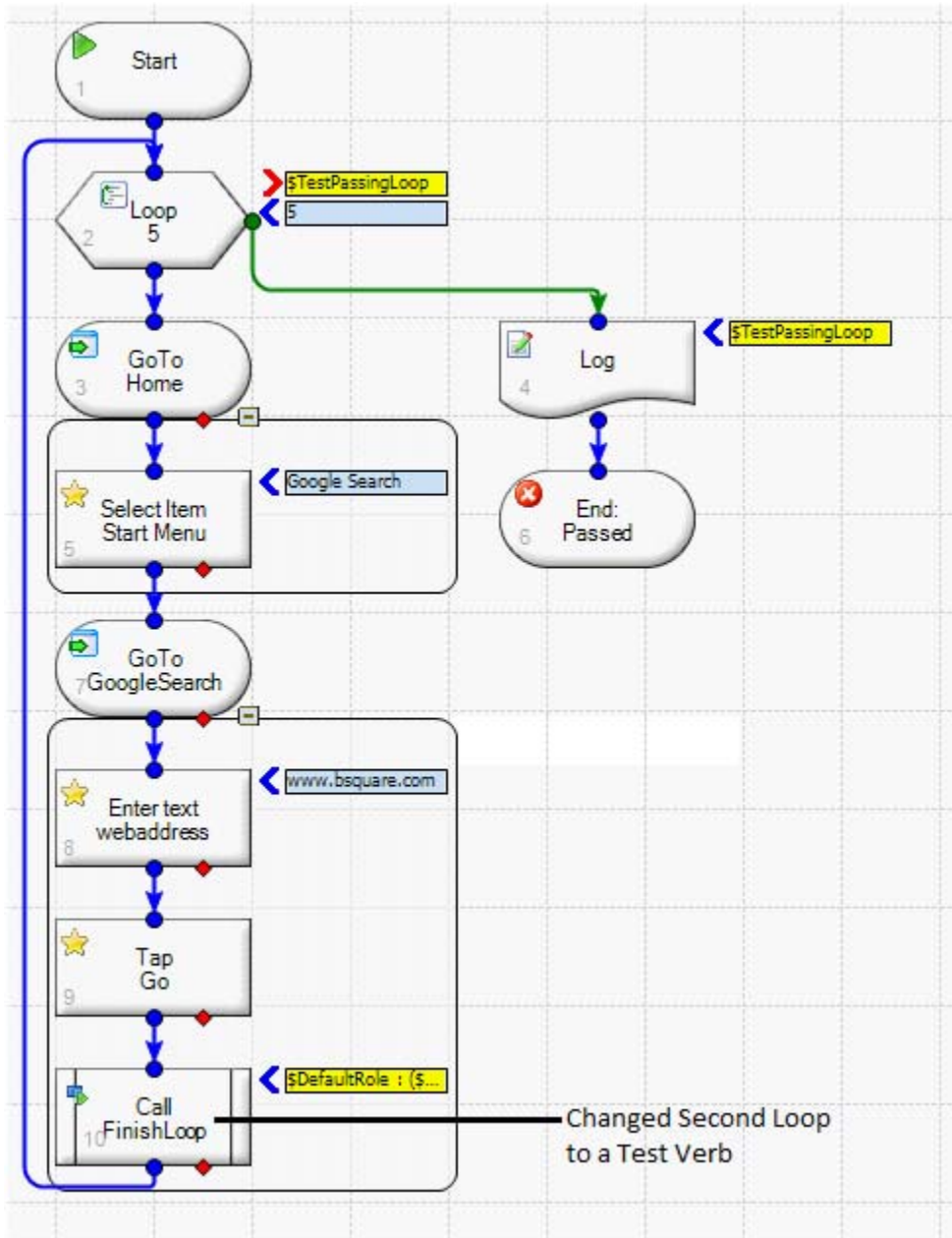
Problem:

When using a loop in your Test Case, adding another loop to handle a recognition timeout problem causes the Test Case to exit the loop early.



Resolution:

1. Put the second loop in as a single TestVerb starting with the GoToScreen Block.



2. Use a condition block instead of a loop. Set and increment the variable yourself.

